



Industrial USB to RS232/RS485/ RS422 interface converter

➤ Features

- Support Industrial USB to RS-232/RS-485/RS422 Converter;
- Fully compliant with USB 2.0 specification;
- Support multiple operating systems such as WIN98/2000/XP/7 Apple OS8/OS9
- Industrial grade rugged ABS housing;
- Plug and play (hot-pluggable);
- Built-in 600W surge protection, 15kV static protection and circuit protection;
- Supports high-speed serial data rates: 300 to 115200bps;
- Supports up to 128 nodes of RS-485/RS-422 devices;
- USB port powered, no external power is required;
- Data direction auto-turnaround, no software drivers or flow control is required;
- Support DIN-Rail or wall mount installation;
- Working temperature range:-40~85°C;
- Warranty:5years



➤ Introduction

The UP-USB-4 is an industrial level USB to RS-232/485/422 converter with power supply from USB port that no need external power supply, which can be used to convert any standard USB port into a three-wire RS-232 port, a two-wire RS485 port, or a four-wire RS422/RS485 port and vice versa. Built-in 600W surge protection, 15kV static protection and circuit protection effectively avoid damage caused by lightning strikes, surges and other factors.

UP-USB-4 can be used to communicate with one loop of up to 128 units of RS485/RS422 devices, which supports serial data rates up to 115,200bps, auto-sensing and self-adjusting, no DIP switch or jumpers are required, which widely used in intelligent power management, power system automation, water conservancy monitoring, industrial automation, distributed data acquisition and other occasions.

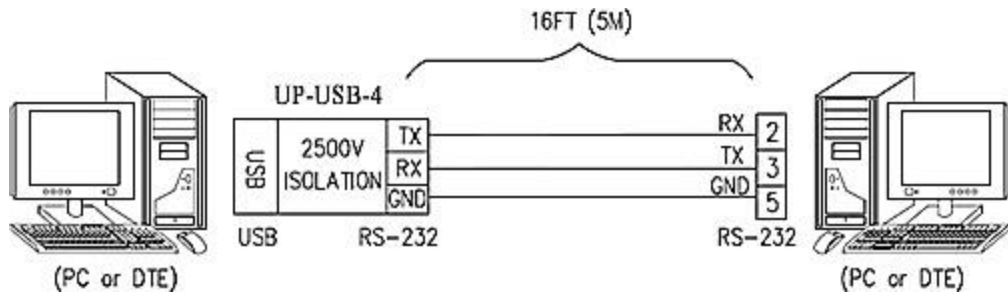
➤ Application Industries

- Industrial Automation
- Intelligent transportation supervisory system (ITS)
- Long-distance broadcast television transmission system
- Electric Power Industry
- Rail transportation industry
- Power system automation
- Water conservancy monitoring
- Distributed data acquisition

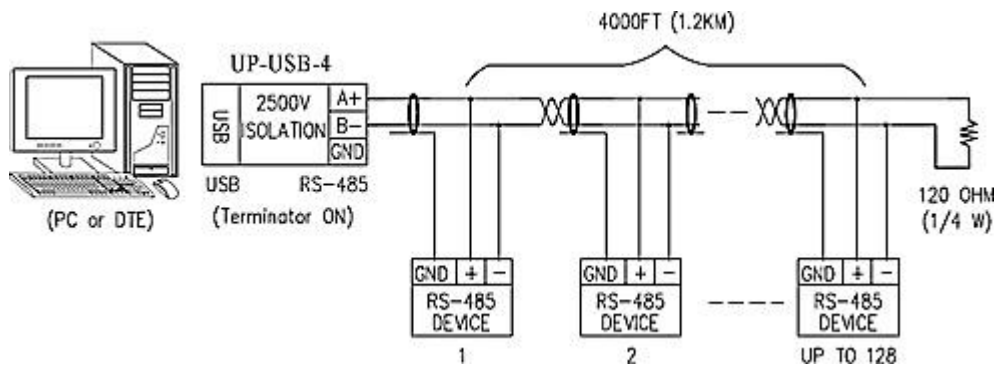
➤ Specification

Technical parameters	
Standard	Meet USB 2.0 standard
	Compliant with EIA RS-485/RS-422 standards
Connector	USB: USB female
	Industrial terminal block
Baud Rate	300bps~115.2Kbps
LED Indicator	
Power indicator	POW(Red): Always light up when the power is connected properly
Serial port Indicator	Flashes when data is being sent or received
Power	
Power Supply	Powered by the USB interface
Interface	USB female
Power consumption	≤2W
Lightning protection	600W
Static protection	15KV
Physical Characteristics	
Shell	DIN rail shell
Dimension	113mm×34mm×72mm
Weight	80g
Transmission distance	
Serial port line	RS-232, 15m@9600bps
	RS-485/RS-422, 1.2km@9600bps
Working Environment	
Working Temp	-40~85°C
Storage Temp	-40~85°C
Relative Humidity	5%~95% (no-condensation)
Warranty	
Warranty	5 Years
Certification	CE, FCC, RoHS

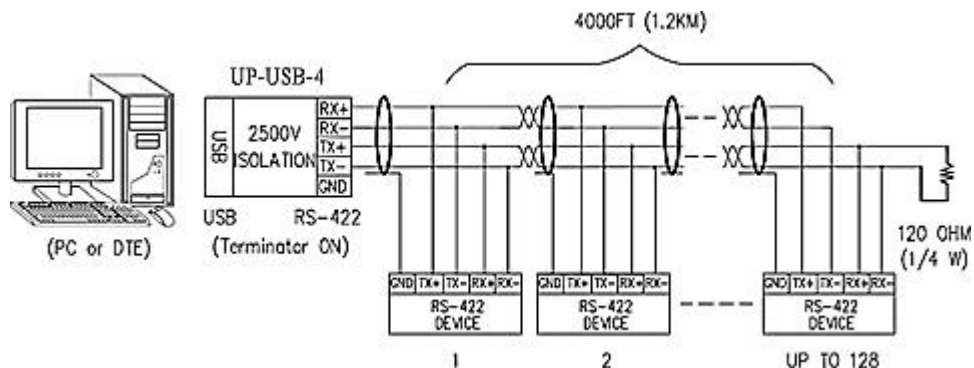
➤ Application



USB RS-232 CONNECTION (RS-232)



MASTER-SLAVE MULTI-DROP CONNECTIONS (RS-485)




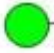

MASTER-SLAVE MULTI-DROP CONNECTIONS (RS-422)

➤ PIN setting

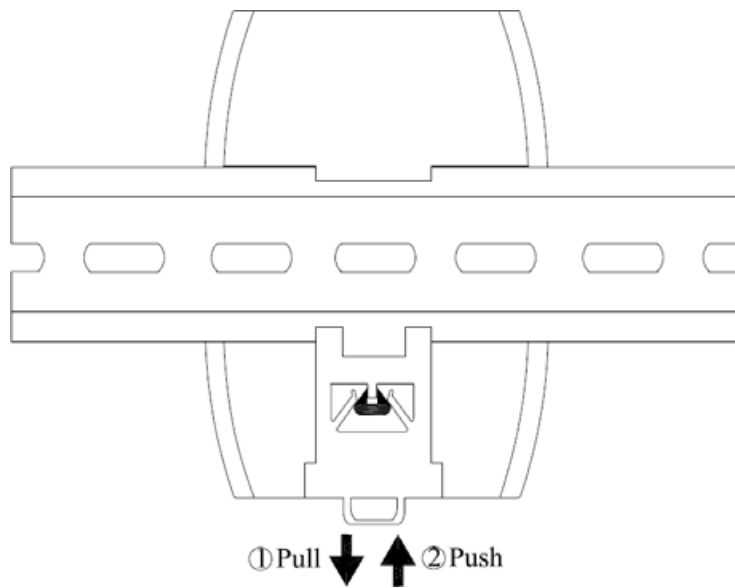
RS-232/RS-485/RS-422 port (Terminal Block):

PIN	TX+/A+	TX-/B-	RX+	RX-	J1	J2	J3	J4	GND	TX	RX
RS-232	-	-	-	-	-	-	-	-	GND	TX	RX
RS-485	485+	485-			-		Tie to ON 120Ω		GND	-	-
RS-422	TX+	TX-	RX+	RX-	Tie to ON 120Ω				GND	-	-

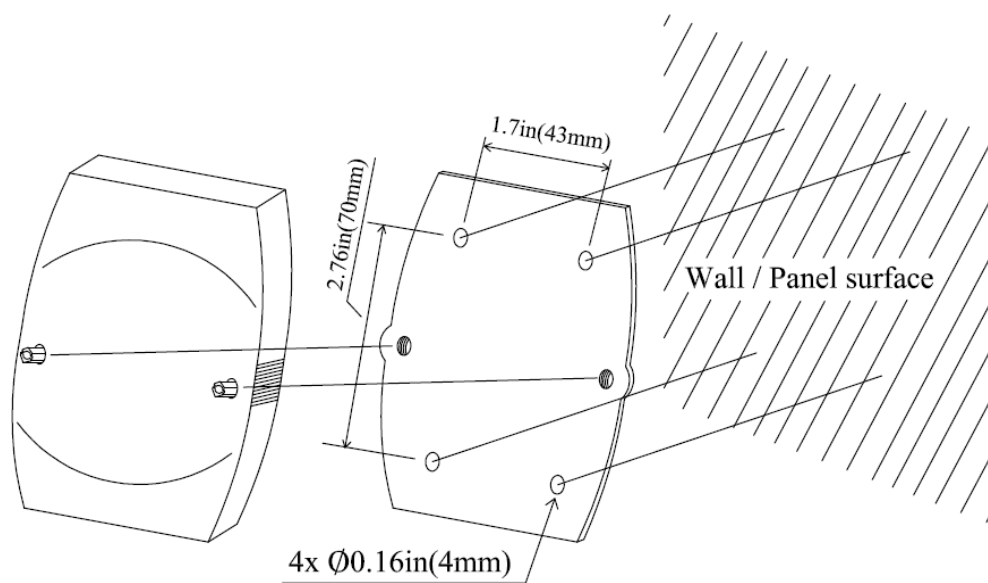
➤ LED Indications

- PWR**  **PWR Indicator** Steady: Power on. Off: Power off.
-  **DOWN Indicator**
 Flashing: Receiving data from USB port.
-  **UP Indicator**
 Flashing: Receiving data from RS-232/RS-485/RS-422 port.

➤ Installation



DIN-RAIL MOUNTING



WALL/PANEL MOUNTING

➤ Ordering Information

Model NO.	Description
UP-USB-1	USB to RS-232 Converter
UP-USB-2	USB to RS-485/422 Converter
UP-USB-4	Industrial USB to RS232/RS485/ RS422 interface converter

➤ Packing List

- Industrial USB to RS-232/RS-485/RS-422 Converter *1
- User manual * 1
- Certificate of quality * 1
- Warranty card * 1