

**Commercial RS-232 to RS-485 Converter, 300bps ~ 115.2Kbps, Port-powered****➤ Features**

- Support commercial type RS-232 to RS-485;
- Port-powered, no external power is required;
- Plug and play (hot-pluggable);
- Built-in 600W surge protection;
- Supports high-speed serial data rates: 300 to 115,200bps;
- Supports up to 128 nodes of RS-485 devices;
- Data direction auto-turnaround, no software drivers or flow control is required;
- Working temperature range:-20~70°C;
- Warranty:3years

**➤ Introduction**

The UP-485-C1 is a commercial type, port-powered RS-232 to RS-485 converter, which can be used to convert any standard RS-232C port into a two-wire half-duplex RS-485 port and vice versa. It supports multi-drop RS-485 networks and can be used to communicate with one loop of up to 128 units of RS-485 devices, it requires no external power, software drivers, or flow control.

UP-485-C1 is port-powered, which has small size, long distance, stable performance and other characteristics. the device is easy to install and meet the needs of serial port data conversion, and are widely used in intelligent power management, power system automation, water conservancy monitoring, industrial automation, distributed data acquisition and other occasions.

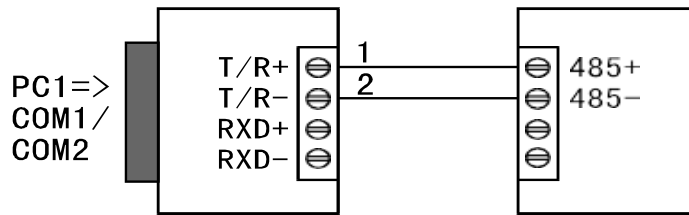
➤ Application Industries

- Industrial Automation
- Intelligent transportation supervisory system (ITS)
- Long-distance broadcast television transmission system
- New Energy and Utilities
- Electric Power Industry
- Rail transportation industry
- Power system automation
- Water conservancy monitoring
- Distributed data acquisition

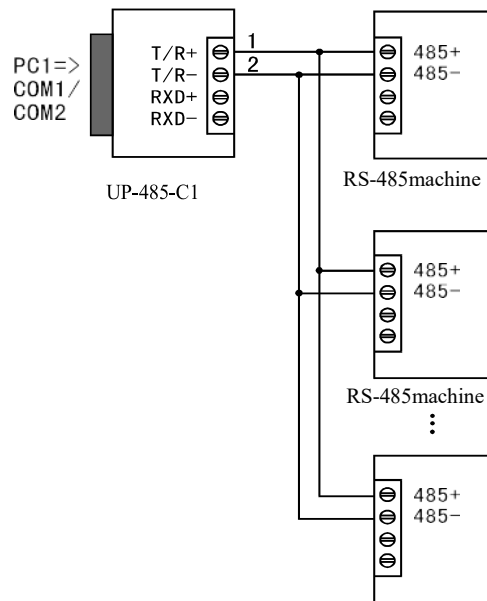
➤ Specification

Technical parameters	
Standard	Compliant with EIA RS-232, RS-485
Connector	RS232: DB-9 Female
	RS485 Side: DB-9 Male
	Termination Board: DB-9 Female and a 4-Way Terminal Block
Baud Rate	300bps~115.2Kbps
Power	
Power Supply	Serial Port Powered
Interface	DB9 interface, industrial terminal block
Lightning protection	600W
Physical Characteristics	
Shell	DB9 plastic case
Dimension	63mm×33mm×17mm
Weight	30g
Transmission distance	
Serial port line	RS-232, 15m@9600bps
	RS-485, 1.2km@9600bps
Working Environment	
Working Temp	-20~70°C
Storage Temp	-20~70°C
Relative Humidity	5%~95% (no-condensation)
Warranty	
Warranty	3 Years
Certification	CE, FCC, RoHS

➤ Application



RS-485 Point-to-point 2 wires half-duplex



RS-485 point-to-multipoint 2 wires half-duplex

➤ PIN setting

RS-232 Side (DB-9 Female Connector):

PIN	1	2	3	4	5	6	7	8	9
RS-232	Protective	RXD	TXD	DTR	GND	DSR	RTS	CTS	RI

RS-485 Side (DB-9 Male Connector / Terminal Block):

PIN	1	2	3	4
Define	T/R+	T/R-	GND	VCC
Specification	RS-485(A+)	RS-485(B+)	Ground Wire	+5V Standby Power input

➤ Ordering Information

Model NO.	Description
UP-485-C1	Commercial RS-232 to RS-485 converter, 300bps~115.2Kbps, non-isolated, Port-Powered
UP-485-C2	Industrial RS-232 to RS-485 converter, 300bps~115.2Kbps, non-isolated, Port-Powered
UP-485-C3	Industrial RS-232 to RS-485/422 converter, 300bps~115.2Kbps, non-isolated, Port-Powered
UP-485-C4	Industrial RS-232 to RS-485/422 converter, 300bps~38.4Kbps, 2500V Opto-isolation, Port-Powered
UP-485-C8	Industrial RS-232 to RS-485/422 converter, 2500V Opto-isolation, 300bps~115.2Kbps, DC5V/DC9-30V

➤ Packing List

- Commercial RS-232 to RS-485 Converter *1
- User manual * 1
- Certificate of quality * 1
- Warranty card * 1