



TLC422 Series

Passive Pocket RS-232 to RS-422 Interface Converter

- Support bidirectional data conversion between 1 RS-232 serial port and 1 RS-422 serial port
- Unique port-power technology, no need for external power supply
- Low power consumption, equal to that of normal light-emitting diodes in static operation, can be truly called passive
- Automatic serial port signal rate detection, support 0~115200bps serial port baud rate
- Adopt automatic data flow control technology, which can detect and control the direction of data transmission
- Compact size and easy installation



Introduction

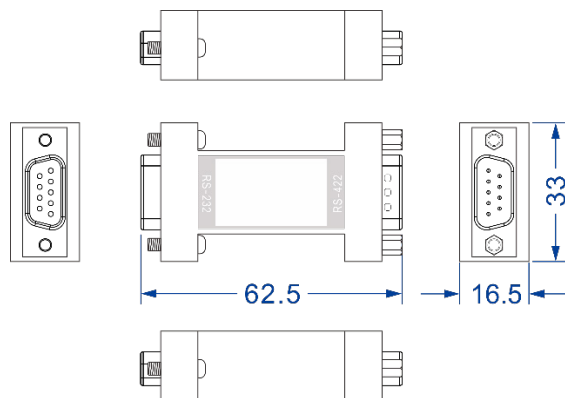
TLC422 series are pocket RS-232 to RS-422 interface converters with high cost-effectiveness, which can implement bidirectional data conversion between serial port RS-232 and RS-422 and need no external power supply. This series have two types of products and provide a RS-232 and a RS-422 serial port that support optional DB9 and DB25 connection, which can meet the requirement of different scenes.

The RS-232 port of TLC422 series could connect to PC directly and obtain power from PC serial port via TXD, RTS and DTR signal line. RS-422 serial port DB9M is equipped with pluggable terminal blocks which is easy and convenient to use and can be widely used in point-to-point communication, industrial distributed system, POS cash register, bank, insurance, security, canteen food selling system, transportation toll system, industrial distributed control, various PLC, data watt-hour meter, gas meter, etc.

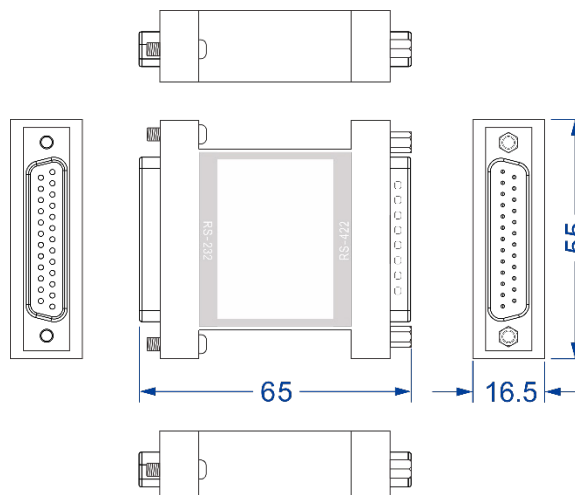
Dimension

Unit:mm

- DB9



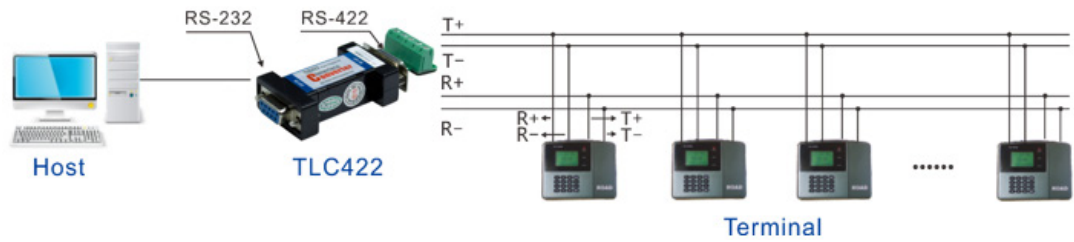
- DB25



Specification

Serial Port	Standard: EIA RS-232C, RS-422 Serial port quantity: 1 RS-232 serial port, 1 RS-422 serial port Baud rate: 0~115200bps RS-232 signal: TXD, RXD, GND RS-422 signal: T+, T-, GND, R+, R- Interface type: RS-232 serial port, adopts DB9 or DB25, Female; RS-422 serial port, adopts DB9 (equipped with 5-pin terminal blocks) or DB25M Transmission distance: RS-232 serial port, 15m; RS-422 serial port, 1200m Interface protection: 15kV electrostatic protection
Power Requirement	No power supply; Obtain power from TXD, RTS, DTR signals of RS-232 serial port
Power Consumption	Static power consumption: ≤10mA Dynamic power consumption(mean): ≤40mA
Environmental Limit	Operating temperature: -20~60℃ Storage temperature: -25~85℃ Relative humidity: 5% ~ 95%(no condensation)
Physical Characteristic	Housing: plastic Dimension (W x H x D): 90mm×33mm×16.5mm (DB9, with terminal blocks) 65mm×55mm×16.5mm (DB25) Weight: 40g
Certification	CE, FCC, RoHS
Warranty	3 years

Typical Application



Ordering Information

Available Models	RS-232 (DB9)	RS-232 (DB25)	RS-422 (DB9)	RS-422 (DB25)	Power Supply
TLC422/9	1	—	1	—	No
TLC422/25	—	1	—	1	



Address: 3/B, Zone 1, Baiwangxin High Technology Industrial Park, Song Bai Road, Nanshan District, Shenzhen, 518108, China

TEL.: +86-755-26702668 ext 835 FAX: +86-755-26703485

E-mail: ics@3onedata.com

Website: www.3onedata.com

◀ Please scan our QR code for more details

*Product pictures and technical data in this datasheet are only for reference. Updates are subject to change without prior notice. The final interpretation right is reserved by 3onedata.