



NP302T Series

Wall Mounting

2 RS-232 or RS-485/422 Serial Device Server

- Support 2 RS-232 or RS-485/422 serial port to 1 10/100Base-T(X) self-adaptive Ethernet interface
- Support RealCom, TCP Server, TCP Client, UDP Server, UDP Client, Pair Master, Pair Slave, UDP Rang, UDP Multicast and other operating modes
- Support 9~48VDC wide voltage input range
- Support -40~75°C wide temperature operation



Introduction

NP302T series are the serial device server that can make serial device be equipped with networking capability instantly and centrally manage the scattered serial devices and hosts via network. This series include 2 types of products and provide 2 RS-232 or RS-485/422 to 1 100M Ethernet copper port. It adopts wall mounting to meet the requirements of different application scenes.

Serial device server supports multiple network protocols, such as TCP, UDP, TELNET, ARP, ICMP, HTTP, DNS and DHCP protocol. It also possesses complete management functions, including Access Control, Rapid Configuration, Online Upgrading and so on. Each serial port supports 4 TCP or UDP session connections, and it also supports RealCom, TCP Server, TCP Client, UDP Server, UDP Client, Pair Master, Pair Slave, UDP Rang, UDP Multicast operating modes and TELNET, WEB access modes. Furthermore, supplied management configuration tool based on Windows platform can guide the user to manage and configure the device, achieving immediate networking of serial device via simple settings. It can provide users with good experience with friendly design of network management system interface, simple and convenient operation.

DIP switch can achieve restore factory defaults of the device. Hardware adopts fanless, low power consumption, wide temperature and voltage design and has passed rigorous industrial standard tests, which can suit for the industrial scene environment with harsh requirements for EMC. It can be widely used in PLC control and management, Building Automation System, Health Care Automation System, measuring instrument and environmental forces monitoring system.

Features and Benefits

- ⊙ Support 10/100Base-T(X) self-adaptive Ethernet interface
- ⊙ Support 300bps-115200bps line speed and non-blocking communication
- ⊙ Support RealCom, TCP Server, TCP Client, UDP Server, UDP Client, Pair Master, Pair Slave, UDP Rang, UDP Multicast and other operating modes
- ⊙ Support across gateway and routing communication
- ⊙ Support multiple hosts polling mode, which allows multiple hosts to access the same serial port
- ⊙ Support delimiter matching communication, achieving various demands for serial port packaging
- ⊙ Support FIFO, compatible with various old type terminal devices
- ⊙ Support IP address and MAC address filtering, which can easily achieve accurate access control
- ⊙ Support classification of user management to realize humanized permission management
- ⊙ Support serial port status and parameters monitoring, ensuring the communication

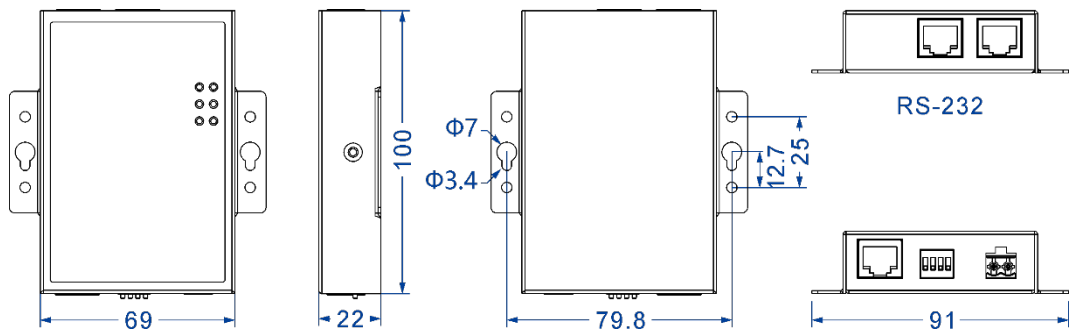
status be clear at a glance

- ⦿ Support RTS/CTS, DTR/DSR and XON/XOFF flow control
- ⦿ Compatible with various virtual serial port management software
- ⦿ Support virtual serial port drive access mode and automatic connection recovery after network interruption
- ⦿ Flexible serial port data framing setting, which can satisfy user's various demands for data packets segmentation
- ⦿ Support standard TCP/IP SOCKET application access
- ⦿ TCP supports multi-connection, which allows maximum 4 users to monitor or manage the serial device simultaneously
- ⦿ UDP supports single machine or multi-machine communication, which allows multiple users to monitor or manage the serial device simultaneously
- ⦿ Support Windows configuration tool, TELNET, WEB and other configuration forms

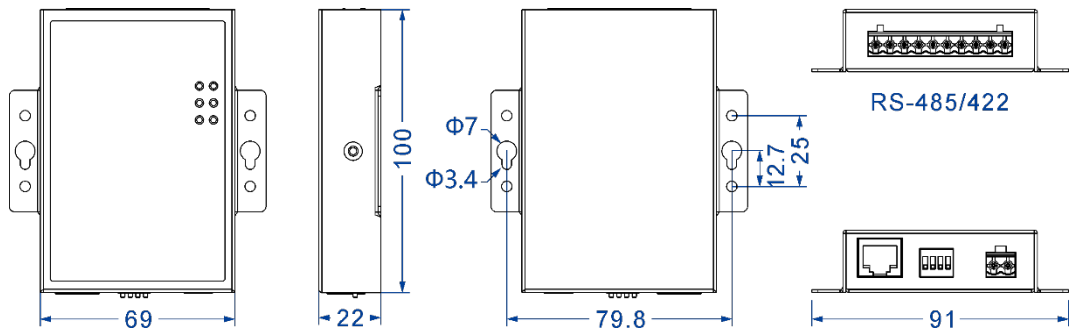
Dimension

Unit:mm

- NP302T-2D(RS-232)



- NP302T-2D(RS-485)



Specification

Ethernet	<p>Standard: 10Base-T, 100Base-TX Protocol: TCP, UDP, ARP, HTTP, TELNET, ICMP, DHCP, DNS Rate: 10/100M automatic flow control, MDI/MDI-X autotuning Interface quantity: 1 Interface form: RJ45 Duplex mode: full/half duplex mode self-adaption Operating mode: 4 sessions, support RealCom, TCP Server, TCP Client, UDP Server, UDP Client, Pair Master, Pair Slave, UDP Rang and UDP Multicast operating modes</p>									
Serial Port	<p>Standard: EIA RS-232C, RS-485, RS-422 Quantity of serial port: 2 RS-232 or RS-485/422 serial port RS-232 signal: RXD, TXD, DTR, GND, DSR, RTS, CTS, DCD RS-485 signal: D+, D-, GND RS-422 signal: T+, T-, GND, R+, R- Baud rate: 300-115200bps Data bit: 5bit, 6bit, 7bit, 8bit Parity bit: None, Even, Odd, Space, Mark Stop bit: 1bit, 2bit Interface form: RS-232, adopt RJ45; RS-485/422, adopt 10 pins 5.08mm pitch terminal blocks Flow control: RTS/CTS, DTR/DSR, XON/XOFF Load capacity: RS-485/422 end supports 32 points polling (customizable 128 points) Pull high/low resistor for RS-485: 4.7kΩ</p>									
Configuration	<p>WEB configuration management, TELNET configuration, Windows configuration tool</p>									
Security	<p>Classification of User Permissions, IP address filtering, MAC address filtering</p>									
Indicator	<p>Power supply indicator, Ethernet port indicator, serial port indicator</p>									
Power Requirement	<p>9~48VDC, 2 pins 5.08mm pitch terminal blocks</p>									
Power Consumption	<table border="1"> <thead> <tr> <th data-bbox="710 1628 970 1711">Model</th> <th data-bbox="975 1628 1193 1711">No-load (@24VDC)</th> <th data-bbox="1198 1628 1449 1711">Full-load (@24VDC)</th> </tr> </thead> <tbody> <tr> <td data-bbox="710 1718 970 1751">NP302T-2D(RS-232)</td> <td data-bbox="975 1718 1193 1751">0.72W</td> <td data-bbox="1198 1718 1449 1751">0.77W</td> </tr> <tr> <td data-bbox="710 1758 970 1792">NP302T-2D(RS-485)</td> <td data-bbox="975 1758 1193 1792">1.01W</td> <td data-bbox="1198 1758 1449 1792">1.03W</td> </tr> </tbody> </table>	Model	No-load (@24VDC)	Full-load (@24VDC)	NP302T-2D(RS-232)	0.72W	0.77W	NP302T-2D(RS-485)	1.01W	1.03W
Model	No-load (@24VDC)	Full-load (@24VDC)								
NP302T-2D(RS-232)	0.72W	0.77W								
NP302T-2D(RS-485)	1.01W	1.03W								
Environmental Limit	<p>Operating temperature range: -40~75°C Storage temperature range: -40~85°C Relative humidity: 5% ~ 95% (no condensation)</p>									
Physical Characteristic	<p>Housing: IP40 protection, metal</p>									

	Installation: wall mounting Dimension (W x H x D): 69mm×22mm×100mm Weight: ≤240g
Industrial Standard	IEC 61000-4-2 (ESD, Electro-static Discharge) , Level 3 <ul style="list-style-type: none">● Air discharge: ±8kV● Contact discharge: ±6kV Shock: IEC 60068-2-27 Free fall: IEC 60068-2-32 Vibration: IEC 60068-2-6
Certification	CE, FCC, RoHS
Warranty	3 years



Ordering Information

Available Models	100M Copper Port	RS-232	RS-485/422	Power Supply Range
NP302T-2D(RS-232)	1	2	—	9~48VDC
NP302T-2D(RS-485)	1	—	2	



Address: 3/B, Zone 1, Baiwangxin High Technology Industrial Park, Song Bai Road, Nanshan District, Shenzhen, 518108, China

TEL.: +86-755-26702668 ext 835 FAX: +86-755-26703485

E-mail: ics@3onedata.com

Website: www.3onedata.com

◀ Please scan our QR code for more details

*Product pictures and technical data in this datasheet are only for reference. Updates are subject to change without prior notice. The final interpretation right is reserved by 3onedata.