



1-port RS485/422 + 4-port 10/100Base-T(X) Modbus Gateway

➤ Features

- Support 1-port RS422/RS485 + 4-port 10/100Base-T(X);
- Support IEEE802.3/802.3u standard, store and forward Exchange Mode;
- Support TCP server, TCP client, UDP, Modbus TCP(RTU) transmission mode, 110~115200bps line speed non-blocking communication;
- Comply with TCP, IP, UDP, Modbus TCP, Modbus RTU, ARP, ICMP, HTTP, TFTP;
- Supports Modbus Slave mode, support up to 4 TCP master connections;
- Support Web management;
- Support serial port settings, can connect two serial devices via Ethernet;
- Supports gateway, cross-routing communication;
- Low-power consumption design;
- Metal housing with IP40 and high level EMC protection;
- Support wide voltage 12-48V DC power input;
- Support DIN-Rail Mounting or Wall Mounting installation;
- Working temperature range:-40~85°C;
- Warranty:5years



➤ Introduction

MW2041G Modbus Gateway support 1-port RS422/RS485 + 4-port 10/100Base-T(X) with Modbus TCP and Modbus RTU protocol, adopts high-strength IP40 protective shell, industrial-grade EMC design, supports Auto-Negotiation adaptive technology, provides LED status indication, and supports voltage 12~48V DC power input to increase the reliability of the communication network.

MW2041G can easily and conveniently centralize the management of scattered serial devices and hosts through the network. The communication rate supports 110~115200bps optional. based on industrial installation requirements, 35mm rail installation mode is provided. This product adopts the industry's excellent network solution, and the operating temperature range is -40~85 °C , which can meet the requirements of various industrial scenes and provide convenient serial communication solutions.

➤ Application Industries

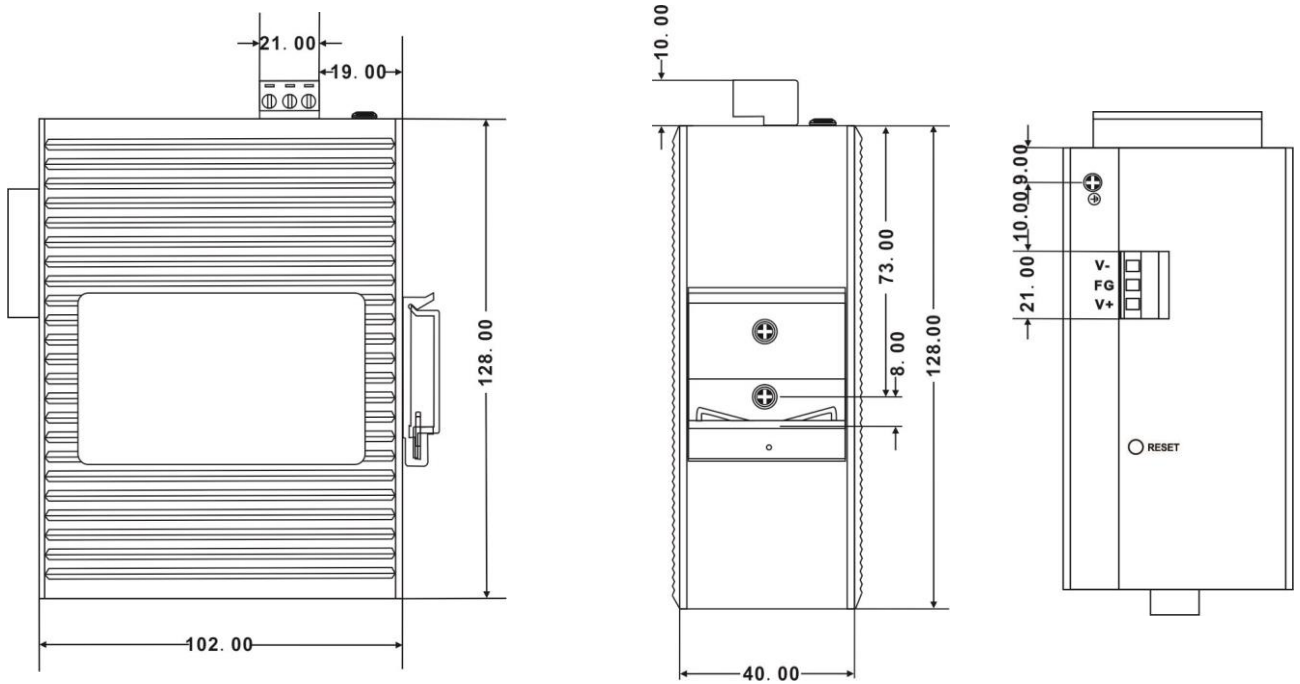
- Industrial Automation
- Intelligent transportation supervisory system (ITS)
- High-speed Way supervisory/Tele-Communication System
- Security Surveillance
- New Energy and Utilities
- Rail transportation industry

➤ Specification

Interface	
RJ45 port	10/100BASE-T(X) auto-Negotiation speed, auto duplex mode and MDI/MDI-X connection
Serial port	RS-422 supports RX-, RX+, TX-, TX+ full duplex working mode
	RS-485 supports A and B half-duplex working mode
	RS-485/422 Communication rate support 110~115200bps optional
	Built-in Modbus TCP and Modbus RTU protocol
	support Modbus Slave mode, Slave mode support up to 4 TCP master Connection
Exchange Property	
10M forwarding speed	14881pps
100M forwarding speed	148810pps
Transmission Mode	store-and-forward
Switching bandwidth	0.8Gbps
Buffer memory size	1Mbits
MAC address table	1K
Serial Port Attribute	
Standard	RS-485/422
RS-422 signal	TX+, TX-, RX+, RX-, GND
RS-485 signal	D+, D-, GND
Check digit	None, Even, ODD
Data bits	5bit, 6bit, 7bit, 8bit
Stop bit	1bit, 2bit
Baud rate	110~115200bps
Directional control	RS-485 adopts data flow control technology
Load capacity	RS-485/422 side supports 32 point polling environment, can up to 128
Interface connector	RS-485/422 adopts 5-bit 5.08mm spacing terminal
Interface protection	1000V surge protection
LED Indicator	
Power indicator	PWR
System running indicator	SYS
Serial port data indicator	COM
Power Supply	
Input	Wide DC power input 12~48VDC (12V/24V/48V)
No-load Consumption	1.2W (@24VDC)

Full-load Consumption	1.68W (@24VDC)
Physical Characteristics	
Shell	Metal, IP40 protection
Installation	Wall mounting or DIN rail mounting
Dimension	40mm×128mm×102mm (W*H*D)
Net weight	300g
Environment Limits	
Working Temp	-40~85°C
Storage Temp	-40~85°C
Relative Humidity	5%~95% (no-condensation)
Industry standard	
IEC61000-4-2	ESD: ±8KV Contact Discharge, ±15KV Air Discharge
IEC61000-4-3	RS: 10V/m (80-1000MHZ)
IEC61000-4-4	EFT: Power ±4KV, Ethernet & Serial Data Cable ±2KV
IEC61000-4-5	Power ±4KV CM/ ±1KV DM, Ethernet Data Cable±4KV CM, Serial Data Cable±1KV CM
IEC61000-4-6	Radio Frequency Conduction: 3V(10KHZ-150KHZ),10V(150KHZ-80MHZ)
IEC61000-4-16	Common Mode Conduction: 30V COUNT 300V, 1S
IEC60068-2-6	Vibration
IEC60068-2-27	Shock
IEC60068-2-32	Free Fall
IEC61000-6-2	General Industrial Standard
Warranty	
Warranty	5 Years
Certification	CE, FCC, RoHS

➤ Dimension



➤ Ordering Information

Model NO.	Description
MW1011G	1-channel RS232/RS-485/422 + 1-port 10/100Base-T(X) Modbus Gateway, DC12-48V
MW2041G	1-channel RS-485/422 + 4-port 10/100Base-T(X) Modbus Gateway, DC12-48V
MW2044G	4-channel RS-485 + 4-port 10/100Base-T(X) Modbus Gateway, DC12-48V
MW2144G	4-channel RS-485+ 4-port 10/100Base-T(X) +1-port 100M fiber Modbus Gateway, DC12-48V
MW2244G	4-channel RS-485 + 4-port 10/100Base-T(X) +2-port 100M fiber Modbus Gateway, DC12-48V

➤ Packing List

- Modbus Gateway *1
- User manual * 1
- Certificate of quality * 1
- Warranty card * 1