



◆ 1-Port RS485/422 +4-port 100M RJ45, Din-Rail

➤ Features

- Support 4-port 10/100BASE-T(X) RJ45 + 1-port RS-485/422;
- Support IEEE802.3/802.3u standard, store and forward Exchange Mode;
- Support TCP server, TCP client, UDP three serial transmission mode, 110~115200bps line speed non-blocking communication
- Support TCP, UDP, ModbusTCP, ModbusRTU, ARP, ICMP, HTTP, TFTP
- Support Modbus TCP(RTU_MASTER)
- Support Web management;
- Support serial port settings, can be connected through the network two serial devices for serial data transmission;
- Supports gateway, cross-routing communication;
- Low-power consumption design;
- Metal housing with IP40 and high level EMC protection
- Support wide range voltage 12~48V DC power input and over-current protection function;
- Support DIN-Rail Mounting and Wall Mounting
- Work in -40~85°C wide temperature.



➤ Introduction

The 1-channel RS-485/422 serial server adopts high-strength IP40 protective casing, industrial-grade EMC design, support Auto-Negotiation Adaptive Technology, provide a comprehensive LED status indicator, support voltage 12~48V DC power input to increase the reliability of the communication network. Provide 4-port 10/100Base-T (x) RJ45 and 1-channel RS-485/422 serial port, can disperse the serial equipment, the host and so on through the network simple, convenient centralized management, the communication rate support 110~115200bps optional. Based on industrial installation requirements, the installation mode of DIN35 guideway is provided. This product adopts the industry's excellent network program, -40~85°C working temperature range, can satisfy all kinds of industrial site requirements, provide convenient serial port communication solutions.

➤ Specification

Technical Standard

Protocol IEEE802.3, IEEE802.3u

Interface

RJ45 port 10/100BASE-T(X) auto-Negotiation speed, auto duplex mode and MDI/MDI-X connection

Serial port RS-422 supports RX-, RX+, TX-, TX+ full duplex working mode;
RS-485 supports A and B half-duplex working mode;
RS-485/422/232 Communication rate support 110~115200bps optional.

Exchange Property

Ten trillion forwarding speed 14881pps;

Fast forwarding speed store-and-forward;

Switching bandwidth 0.8Gbps;

Buffer memory size 1Mbits;

MAC address table 1K.

Serial Port Attribute

Standard RS-485/422;

RS-422 signal TX+,TX-, RX+, RX-, GND;

RS-485 signal D+, D-, GND;

Check digit None, Even, ODD;

Data bits 5bit, 6bit, 7bit, 8bit;

Stop bit 1bit, 2bit;

Baud rate 110~115200bps;

Directional control RS-485 adopts data flow control technology;

Load capacity RS-485/422 side supports 32 point polling environment (customizable 128 points);

Interface form RS-485/422 and adopts 5-bit 5.08mm spacing terminal

Interface protection 1000V surge protection.

Indicator

Power indicator PWR

System running indicator SYS

Serial port data status indicator COM

Power Supply

Input 12~48VDC with 7.62mm industrial power terminal;

No-load Consumption < 1.2W (@24VDC) ;

Full-load Consumption < 1.68W (@24VDC)

Mechanical Properties

Dimension(W×H×D) 40mm×128mm×102mm;

Net weight 300g;

Housing Metal, IP40 protection;

Installation DIN rail mounting.

Operating Environment

Working temperature -40°C~85°C;

Storage temperature -40°C~ 85°C;

Relative humidity 5% ~ 95% (no condensing)

Standards and Certifications

IEC61000-4-2(ESD) $\pm 8\text{KV}$ Contact, $\pm 15\text{KV}$ Air

IEC61000-4-3(RS) 10V/M(80-1000MHZ)

IEC61000-4-4(EFT) Power $\pm 4\text{KV}$, Ethernet&Serial Data Cable $\pm 2\text{KV}$

IEC61000-4-5(Surge) Power $\pm 4\text{KV}$ CM/ $\pm 1\text{KV}$ DM, Ethernet Data Cable $\pm 4\text{KV}$ CM, Serial Data Cable $\pm 1\text{KV}$ CM

IEC61000-4-6(CS) 3V (10KHZ-150KHZ), 10V, (150KHZ-80MHZ)

IEC61000-4-16(MS) 30V COUNT 300V, 1S

IEC60068-2-6(Vibration)

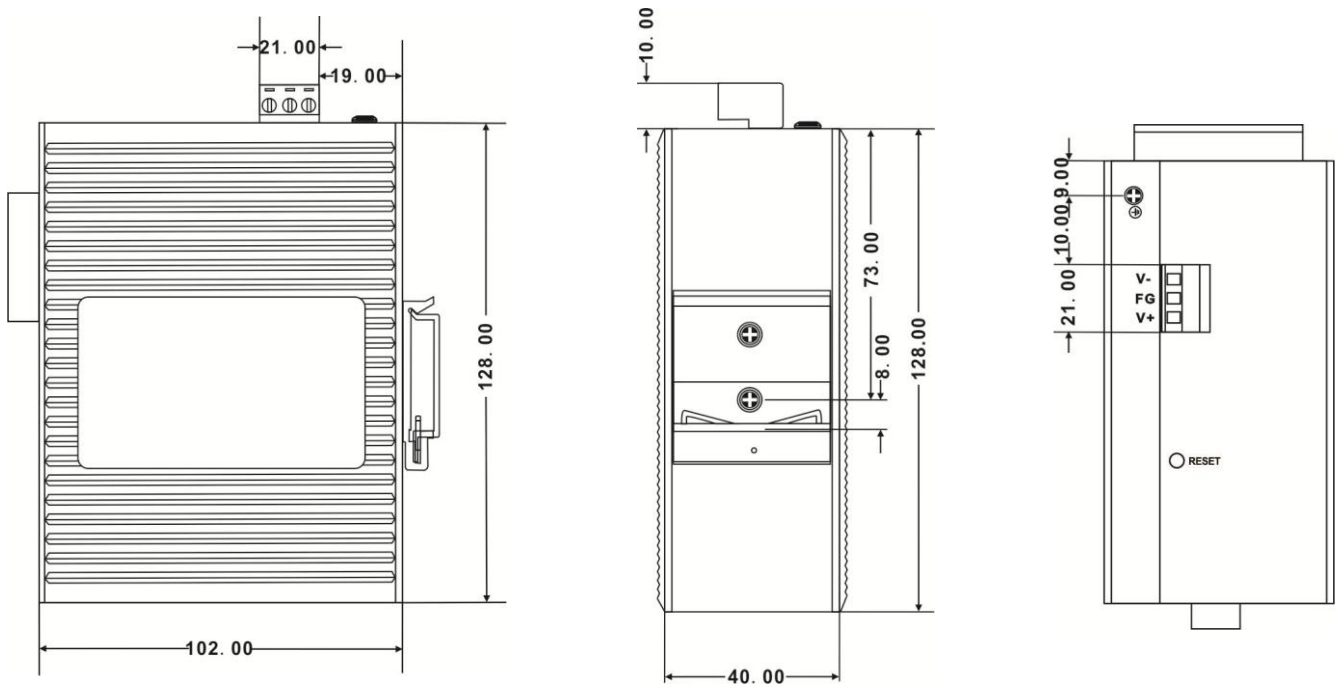
IEC60068-2-27(Shock)

IEC60068-2-32(Free Fall)

IEC61000-6-2

Warranty 5 years

➤ Installation



➤ Order information

Model NO.	Description
MW1011	1-channel RS232/RS-485/422 + 1-port 10/100Base-T(X) RJ45, DC12-48V
MW2041	1-channel RS-485/422 + 4-port 10/100Base-T(X) RJ45, DC12-48V
MW2044	4-channel RS-485 + 4-port 10/100Base-T(X) RJ45, DC12-48V, 500V Isolation
MW2144	4-channel RS-485 + 4-port 10/100Base-T(X) RJ45+1-port 100M fiber, DC12-48V, 500V Isolation
MW2244	4-channel RS-485 + 4-port 10/100Base-T(X) RJ45+2-port 100M fiber, DC12-48V, 500V Isolation

➤ Packing List

- MW2041 Industrial Serial Device Server×1
- User manual ×1
- Warranty card ×1
- Certificate of quality×1