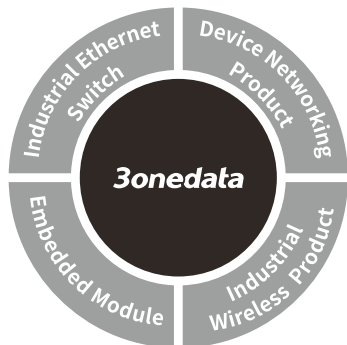


MODEL1100 Series Media Converter Quick Installation Guide



3onedata Co., Ltd.

Address: 3/B, Zone 1, Baiwangxin High Technology Industrial Park, Xili, Nanshan District, Shenzhen

Website: www.3onedata.com

Tel: +86 0755-26702688

Fax: +86 0755-26703485

【Package Checklist】

Please check whether the package and accessories are intact while using the media converter for the first time.

1. Media Converter (equipped with terminal blocks)
2. Certification terminal blocks)
3. Quick installation guide
4. Warranty card

If any of these items are damaged or lost, please contact our company or dealers, we will solve it ASAP.

【Product Overview】

This series of products are media converters. Its models are as follows:

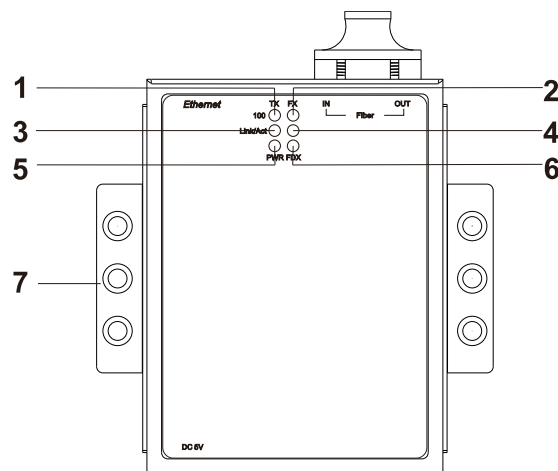
Model I MODEL1100-5VDC (1 100M Copper Port + 1 100M Fiber Port + 1 External 5VDC Power Supply)

Model II MODEL1100-220VAC (1 100M Copper Port + 1 100M Fiber Port + 1 Built-in 220VAC Power Supply)

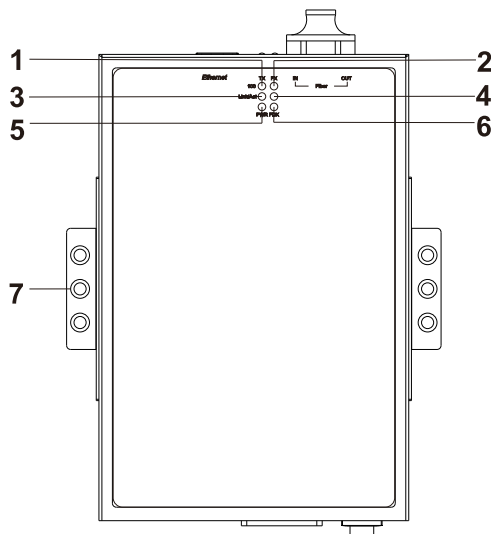
Model III MODEL1100-48VDC (1 100M Copper Port + 1 100M Fiber Port + 1 Built-in 48VDC Power Supply)

【Panel Design】

➤ Front view

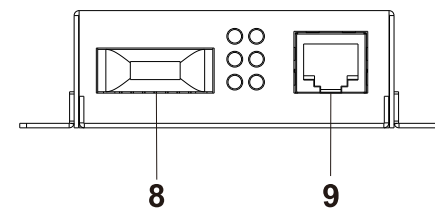


Model I

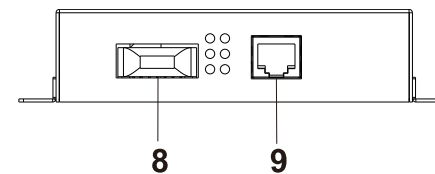


Model II, Model III

➤ Top view

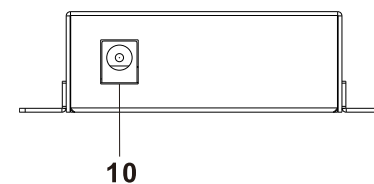


Model I



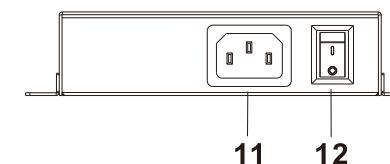
Model II, Model III

➤ Bottom view



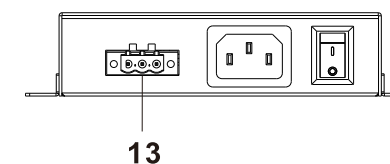
10

Model I



11 12

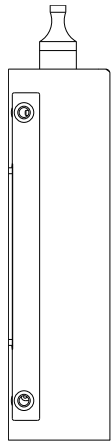
Model II



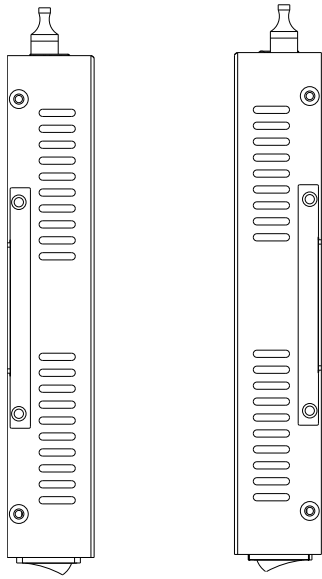
13

Model III

➤ Side view



Model I



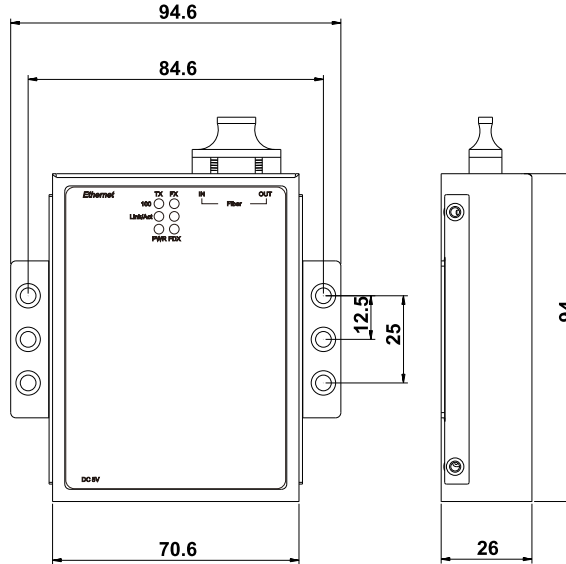
Model II, Model III

1. Copper port rate status indicator
2. Fiber port rate status indicator
3. Copper port connection status indicator
4. Fiber port connection status indicator
5. Power supply indicator
6. Copper port working mode indicator
7. Hanger
8. 100M fiber port

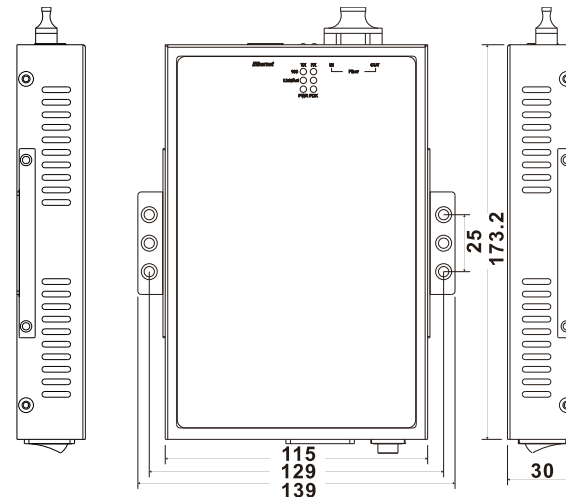
9. 100M copper port
10. External DC round head power supply input terminal
11. AC outlet
12. AC outlet switch
13. Built-in 48VDC power supply input terminal

【Mounting Dimension】

Unit: mm



Model I



Model II, Model III

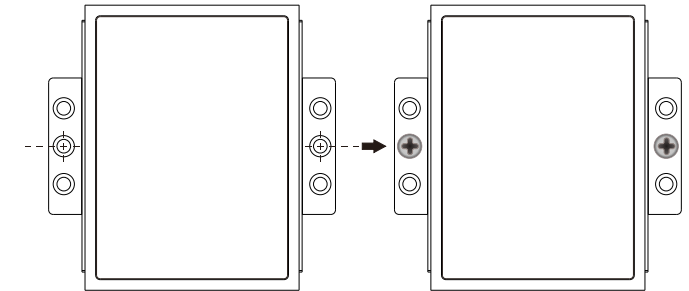


Notice before mounting:

- Don't place or install the device in area near water or moist, keep the relative humidity of the device surrounding between 5%~95% without condensation.
- Before power on, first confirm the supported power supply specification to avoid over-voltage damaging the device.
- The device surface temperature is high after running; please don't directly contact to avoid scalding.

【Wall-mounting the Device】

- Step 1 Put the device on the wall it will be mounted as reference or to refer to its mounting dimension, and mark the locations of 2 expansion screws.
- Step 2 Put the device on the marked wall and tighten the screws toward the marked locations, mounting ends.



【Disassembling the Device】

- Step 1 Device powers off
- Step 2 Hold the device steady and unscrew the nuts on the wall.
- Step 3 Take out the device, disassembling ends.



Notice before powering on:

- Power ON operation: first connect power line to the connection terminal of device power supply, then power on.
- Power OFF operation: first unpin the power plug, then

remove the power line, please note the operation order above.

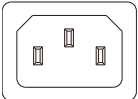
【Power Supply Connection】

➤ External 5VDC power supply



Model I provides external 5VDC power supply, DC round head.

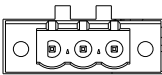
➤ Built-in 220VAC power supply



Model II provides built-in 220VAC power supply, and AC outlet with switch.

Power supply range: 85~265VAC.

➤ Built-in 48VDC power supply



Model III provides 3-pin 5.08mm pitch terminal blocks and built-in 48VDC power supply.

【Checking LED Indicator】

The device provides LED indicators to monitor its operating status, which has simplified the overall troubleshooting process. The function of each LED is described in the table as below:

LED	Status	Description
PWR	ON	PWR is connected and running normally
	OFF	PWR is disconnected and running abnormally
Link/Act (TX)	ON	Copper port has established valid connection
	Blinking	Copper port is in an active network status
	OFF	Copper port hasn't established valid connection
Link/Act (FX)	ON	Fiber port has established valid connection
	Blinking	Fiber port is in an active network status
	OFF	Fiber port hasn't established valid

		connection
100(TX)	ON	Copper port rate is 100Mbps
	OFF	Copper port rate is 10Mbps or it is not connected
100(FX)	ON	Fiber port rate is 100Mbps
	OFF	Fiber port is not connected
FDX	ON	Copper port is in full duplex mode
	OFF	Copper port is in half duplex mode

【Specification】

Panel	
100M copper port	10Base-T/100Base-TX self-adaption
100M fiber port	100Base-FX fiber port
Indicator	Power supply indicator, fiber port rate status indicator, copper port rate status indicator, fiber port connection status indicator, copper port connection status indicator, copper port duplex indicator
Power supply	
Model I	External 5VDC power supply, DC round head
Model II	Built-in 220VAC (85~265VAC) power supply, AC outlet with switch
Model III	Built-in 48VDC power supply, 3-pin 5.08mm pitch terminal blocks
Operating environment	
Operating temperature	-10~60℃
Storage temperature	-20~70℃
Operating humidity	5%~95% (no condensation)
Protection grade	IP30