



IES2220 Series

DIN-Rail or Wall Mounting

20-port 100M/Gigabit Layer 2 Unmanaged Industrial PoE Ethernet Switch

- Support 4 Gigabit SFP slots and 16 100M copper ports (optional PoE)
- The maximum power of single PoE port is 30W
- Support optional AC/DC power supply, DC dual power supply redundancy
- Support -40~75°C wide operating temperature range



Introduction

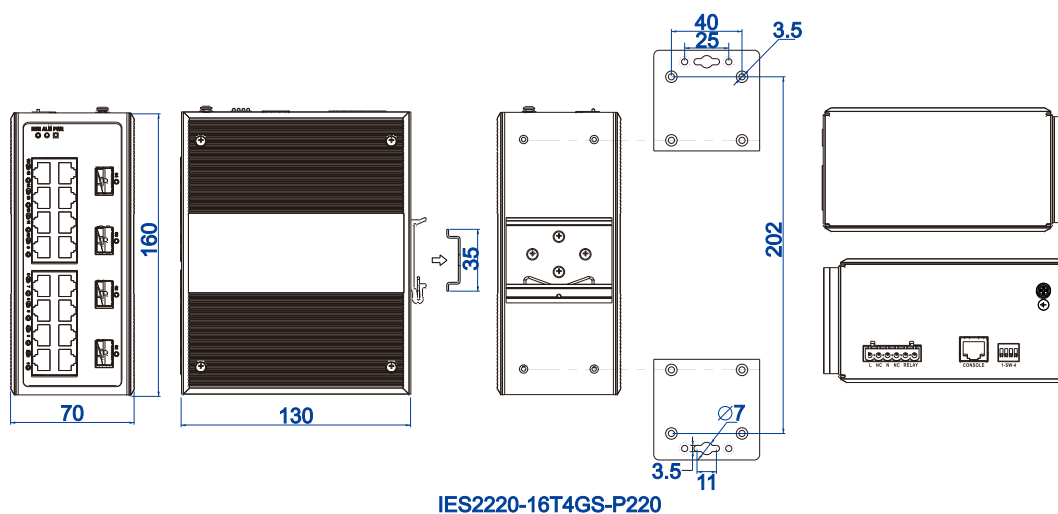
IES2220 series are 20-port 100M/Gigabit layer 2 unmanaged industrial Ethernet switches. This series provide 100M copper port (optional PoE) and Gigabit SFP slot, and the PoE power supply conforms to the protocol standard of IEEE802.3af/at. They also adopt DIN-Rail or wall mounting, which can meet the requirements of different scenes.

This series support optional AC/DC power supply. And DC power supply is two independent power supply circuits which can ensure the normal operation of the device when one power supply fails. Hardware adopts fanless, low power consumption, wide temperature and voltage design and has passed rigorous industrial standard tests, which can suit for the industrial scene environment with harsh requirements for EMC. It can be widely used in smart grid, rail transit, smart city, safety city, new energy, intelligent manufacturing and other industrial fields.

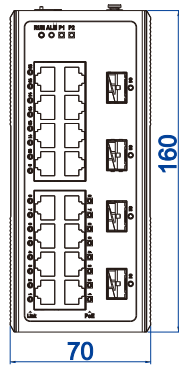
Dimension

Unit:mm

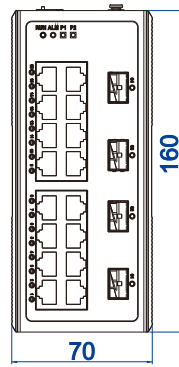
- AC power supply



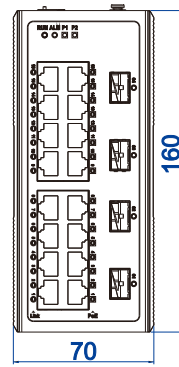
- DC power supply



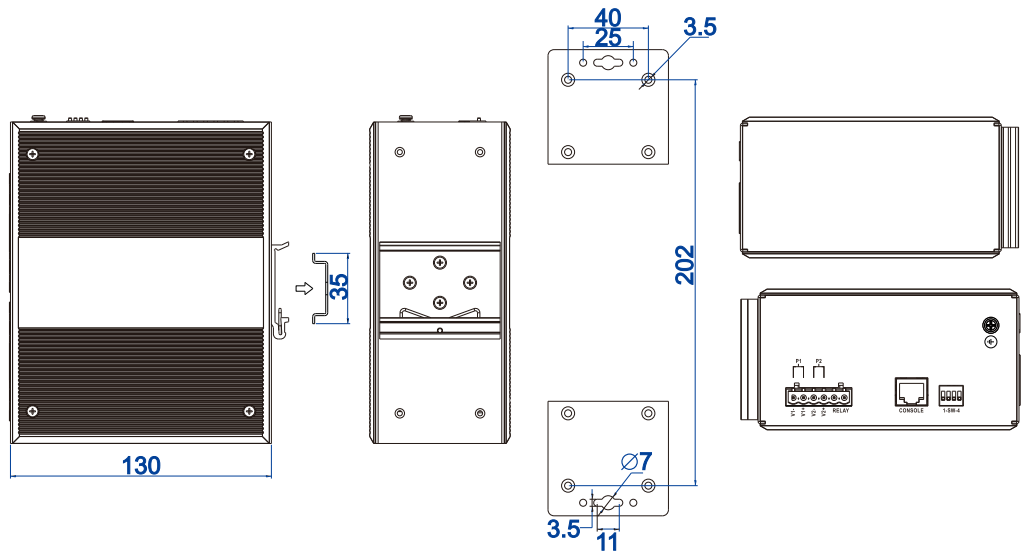
IES2220-8T8P4GS-2P48-120W
IES2220-8T8P4GS-2P48-200W
IES2220-8T8P4GS-2P24-120W



IES2220-16T4GS-2P48



IES2220-16P4GS-2P48-120W
IES2220-16P4GS-2P48-200W
IES2220-16P4GS-2P24-120W



Specification

<p>Standard & Protocol</p>	<p>IEEE 802.3 for 10Base-T IEEE 802.3u for 100Base-TX IEEE 802.3z for 1000Base-X IEEE 802.3af for PoE IEEE 802.3at for PoE+</p>
<p>PoE</p>	<p>The maximum power of single PoE port: 15/30W The power supply pin of PoE: V+, V+, V-, V- correspond to Pin 1, 2, 3, 6</p>
<p>Interface</p>	<p>100M copper port: 10/100Base-T(X), RJ45, Automatic Flow Control, Full/half Duplex Mode, MDI/MDI-X Autotuning 100M PoE copper port: 10/100Base-T(X) RJ45, automatic flow control, full/half duplex mode, MDI/MDI-X autotuning, POE port, output power of 15W or 30W</p>

	<p>Gigabit SFP port: 1000Base-SFP</p> <p>Console port: reserved</p> <p>Alarm port: reserved</p>
LED Indicator	<p>Running Indicator, Port Indicator, Power Supply Indicator, Alarm Indicator (reserved), PoE Indicator (only for PoE products)</p>
Switch Property	<p>Transmission mode: store and forward</p> <p>MAC address: 8K</p> <p>Packet buffer size: 3Mbit</p> <p>Backplane bandwidth: 12.8G</p> <p>Switch time delay: <10μs</p>
Power Requirement	<p>Optional 24VDC, 48VDC or 220VAC, 6 pins 5.08mm pitch terminal blocks, including 4 pins power supply terminal blocks</p> <p>DC dual power supply redundancy, anti-reverse connection</p>
Power Consumption	<p>DC products</p> <ul style="list-style-type: none"> No-load: ≤157W@48VDC Full-load: ≤157.2W@48VDC <p>AC products</p> <ul style="list-style-type: none"> No-load: ≤9.2W@220VAC Full-load: ≤9.6W@220VAC
Environmental Limit	<p>Operating temperature range: -40~75℃</p> <p>Storage temperature range: -40~85℃</p> <p>Relative humidity: 5% ~ 95%(no condensation)</p>
Physical Characteristic	<p>Housing: IP40 protection, metal</p> <p>Installation: DIN-Rail or wall mounting</p> <p>Dimension (W x H x D): 70mm×160mm×130mm</p> <p>Weight: ≤1.06kg</p>
Industrial Standard	<p>IEC 61000-4-2 (ESD), Level 3</p> <ul style="list-style-type: none"> Air discharge: ±8kV Contact discharge: ±6kV <p>IEC 61000-4-4 (EFT), Level 3</p> <ul style="list-style-type: none"> Power supply: ±2kV Ethernet port: ±1kV Relay: ±2kV <p>IEC 61000-4-5 (Surge), Level 3</p>



- Power supply: common mode ± 2 kV, differential mode ± 1 kV
- Ethernet port: common mode ± 2 kV, differential mode ± 1 kV
- Relay: common mode ± 2 kV, differential mode ± 1 kV

Shock: IEC 60068-2-27

Free fall: IEC 60068-2-32

Vibration: IEC 60068-2-6

Certification	CE, FCC, RoHS
Warranty	5 years



Ordering Information

Model	100M Copper Port	100M POE Copper Port	Gigabit SFP Slots	Power Supply	PoE Power
IES2220-16T4GS-2P48	16	-	4	12~48VDC dual power supply	-
IES2220-16T4GS-P220	16	-	4	85~264VAC single power supply	-
IES2220-16P4GS-2P48-120W	-	16	4	48VDC dual power supply	120W
IES2220-16P4GS-2P48-200W	-	16	4	48VDC dual power supply	200W
IES2220-16P4GS-2P24-120W	-	16	4	24VDC dual power supply	120W
IES2220-8T8P4GS-2P48-120W	8	8	4	48VDC dual power supply	120W
IES2220-8T8P4GS-2P48-200W	8	8	4	48VDC dual power supply	200W
IES2220-8T8P4GS-2P24-120W	8	8	4	24VDC dual power supply	120W



Address: 3/B, Zone 1, Baiwangxin High Technology Industrial Park, Song Bai Road, Nanshan District, Shenzhen, 518108, China

TEL.: +86-755-26702668 ext 835 FAX: +86-755-26703485

E-mail: ics@3onedata.com

Website: www.3onedata.com

◀ Please scan our QR code for more details

*Product pictures and technical data in this datasheet are only for reference. Updates are subject to change without prior notice. The final interpretation right is reserved by 3onedata.