



IES206 Series

DIN-Rail Mounting or Wall Mounting

6-port 100M/Gigabit Layer 2 Unmanaged Industrial Ethernet Switch

- Support 2 gigabit fiber ports(SFP slots or ST/SC/FC optional) and 4 100M copper ports
- Support 12~48VDC dual power supply input with non-polarity and anti-reverse connection protection
- Support -40~75℃ wide operating temperature range



Introduction

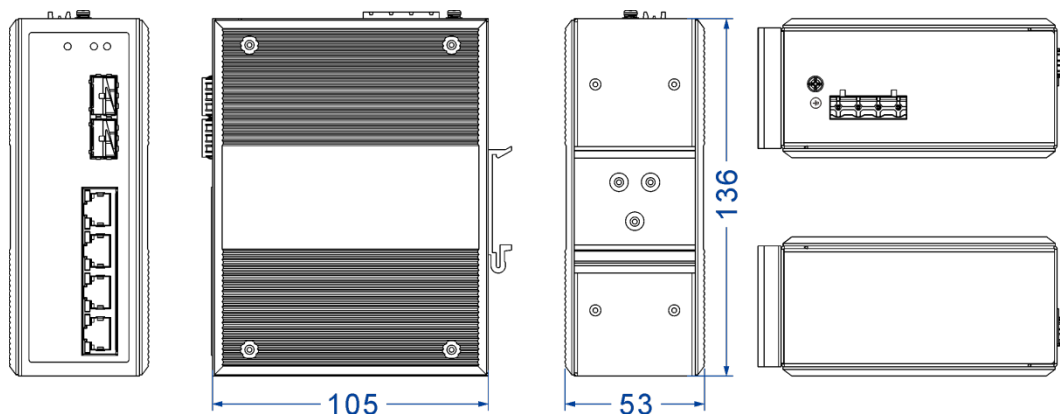
IES206 series are 6-port 100M/gigabit unmanaged industrial Ethernet switches. The series provide 100M copper ports, gigabit fiber ports and SFP slots. They also adopt DIN-Rail mounting or wall mounting, which can meet the requirements of different application scenes.

The input power supply is two independent power supply circuits which can ensure the normal operation of the device when one power supply fails. Hardware adopts fanless, low power consumption, wide temperature and voltage design and has passed rigorous industrial standard tests, which can suit for the industrial scene environment with harsh requirements for EMC. It can be widely used in smart grid, railway transportation, smart city, safe city, new energy, intelligent manufacturing and other industrial fields.

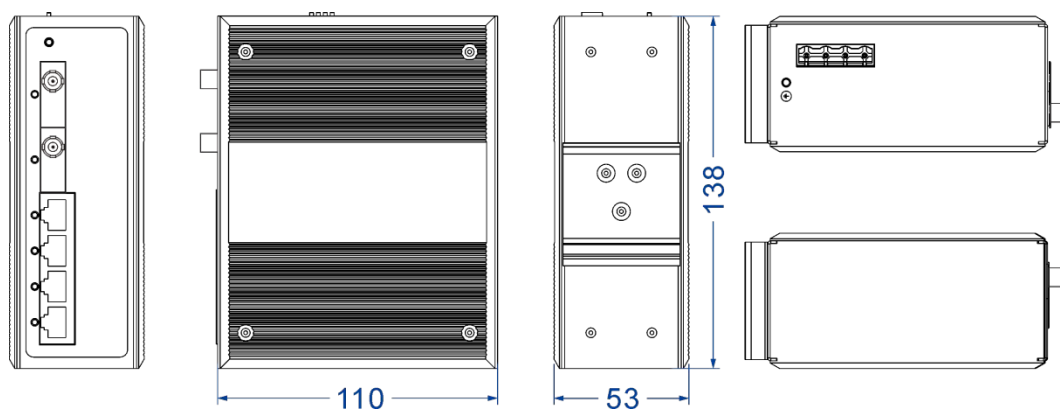
Dimension

Unit:mm

● IES206-2GS



● IES206-2GF



Specification

Standard & Protocol	IEEE 802.3 for 10Base-T IEEE 802.3u for 100Base-TX IEEE 802.3z for 1000Base-X		
Interface	Copper port: 10/100Base-T(X), RJ45, Automatic Flow Control, Full/Half Duplex Mode Self-adaption, MDI/MDI-X Autotuning Fiber port: 1000Base-FX, SC/ST/FC optional SFP slot: 1000Base-SFP		
LED Indicator	Running Indicator, Port Indicator, Power Supply Indicator		
Switch Property	Transmission mode: store and forward MAC address: 8K Packet buffer size: 1Mbit Backplane bandwidth: 7.6G Switch time delay: <10μs		
Power Requirement	12~48VDC, 4-pin 7.62mm pitch terminal blocks dual power supply redundancy, non-polarity, reverse connection protection		
Power Consumption	Model	No-load(@24VDC)	Full-load(@24VDC)
	IES206-2GS	5.9W	7.3W
	IES206-2GF	3.8W	5.5W
Environmental Limit	Operating temperature: -40~75℃ Storage temperature: -40~85℃ Relative humidity: 5% ~ 95%(no condensation)		
Physical Characteristic	Housing: IP40 protection, high-intensity corrugated metal Installation: DIN-Rail mounting or wall mounting Dimension (W x H x D): 53mm×136mm×105mm (IES206-2GS) 53mm×138mm×110mm (IES206-2GF)		
Industrial Standard	IEC 61000-4-2 (ESD), Level 4 <ul style="list-style-type: none"> Air discharge: ±15kV Contact discharge: ±8kV IEC 61000-4-4 (EFT), Level 4 <ul style="list-style-type: none"> Power supply: ±4kV Ethernet port: ±2kV Relay: ±4kV 		

	<p>IEC 61000-4-5 (Surge), Level 4</p> <ul style="list-style-type: none">• Power supply: common mode $\pm 4\text{kV}$, differential mode $\pm 2\text{kV}$• Ethernet port: $\pm 2\text{kV}$• Relay: common mode $\pm 4\text{kV}$, differential mode $\pm 2\text{kV}$ <p>Shock: IEC 60068-2-27 Free fall: IEC 60068-2-32 Vibration: IEC 60068-2-6</p>
Certification	CE, FCC, RoHS
Warranty	5 years



Ordering Information

Available Models	Gigabit SFP Slot	Gigabit Fiber Port	100M Copper Port	Power Supply Range
IES206-2GS	2	—	4	12~48VDC
IES206-2GF	—	2	4	dual power supply



Address: 3/B, Zone 1, Baiwangxin High Technology Industrial Park, Song Bai Road, Nanshan District, Shenzhen, 518108, China

TEL.: +86-755-26702668 ext 835 FAX: +86-755-26703485

E-mail: ics@3onedata.com

Website: www.3onedata.com

◀ Please scan our QR code for more details

*Product pictures and technical data in this datasheet are only for reference. Updates are subject to change without prior notice. The final interpretation right is reserved by 3onedata.