



Industrial Media Converter

IMC201-SFP

◆ 1-port Industrial Gigabit media converter

➤ Features

- 1x 10/100/1000 Base-TX port and 1 1000Base-X SFP port Support
- IEEE802.3/802.3u/802.3x/802.3z store and forward
- Ethernet port support 10/100/1000M self-adaption
- Support LFP
- DC12~50V Dual Power input
- IP40 protect grade, high strength iron shell, DIN Rail installation



➤ Introduction

IMC201-SFP is a kind of industrial gigabit media converter, it support 1 10Base-T/100Base-TX/1000 Base-TX port and 1 1000Base-X SFP port. It support LFP function, it is easy to check the network connection status,, it also support CE,FCC standard, IMC201-SFP adopt industry standard design, IP40 protection, rugged high-strength metal case, power supply input(12V~48VDC), -40 to 85 °C working temperature.

➤ Specification

Technology	
Standard	IEEE802.3, IEEE802.3u, IEEE802.3x, IEEE802.3z
Flow control	IEEE802.3x, back pressure control
Interface	
Gigabit Ethernet port	10Base-T/100Base-TX/1000Base-TX Self-adaption
Gigabit fiber port	1000Base-X SFP
Transmission	
Twisted pair	100M (Standard CAT5/CAT5e cable)
Multi mode fiber	850nm/1310nm, 2Km Module
Single mode fiber	1310nm, 20/40/60Km, 1550nm,20/40/60/80/100/120Km
Exchange of attribute	
100M forward speed	148810pps
1000M forward speed	1488100pps
Transmission	Store and forward
Memory	1Mbits
MAC address	1K
Indicator	
System	RUN
Ethernet port	G1 LINK
Fiber port	G2 LINK
Remote Ethernet port alarm	G1 LFP
Remote Fiber port alarm	G2 LFP

Power supply

Power input	24VDC(12~50VDC)
-------------	-----------------

Terminal block	6 bits 7.62mm terminal block
----------------	------------------------------

No-load power consumption	1.512W@24VDC
---------------------------	--------------

Full-load power consumption	1.800W@24VDC
-----------------------------	--------------

Mechanical

Shell	IP40, high strength iron shell.
-------	---------------------------------

Installation	DIN Rail
--------------	----------

Weight	346.6g
--------	--------

Dimension (W×H×D)	110mm×35mm×95mm
-------------------	-----------------

Environmental

Operating Temperature	-40 to 85 °C
-----------------------	--------------

Storage Temperature	-45 °C to 85 °C
---------------------	-----------------

Ambient Relative Humidity	10 to 95% (non-condensing)
---------------------------	----------------------------

Standard

EMI	FCC Part 15, CISPR (EN55022) class A
-----	--------------------------------------

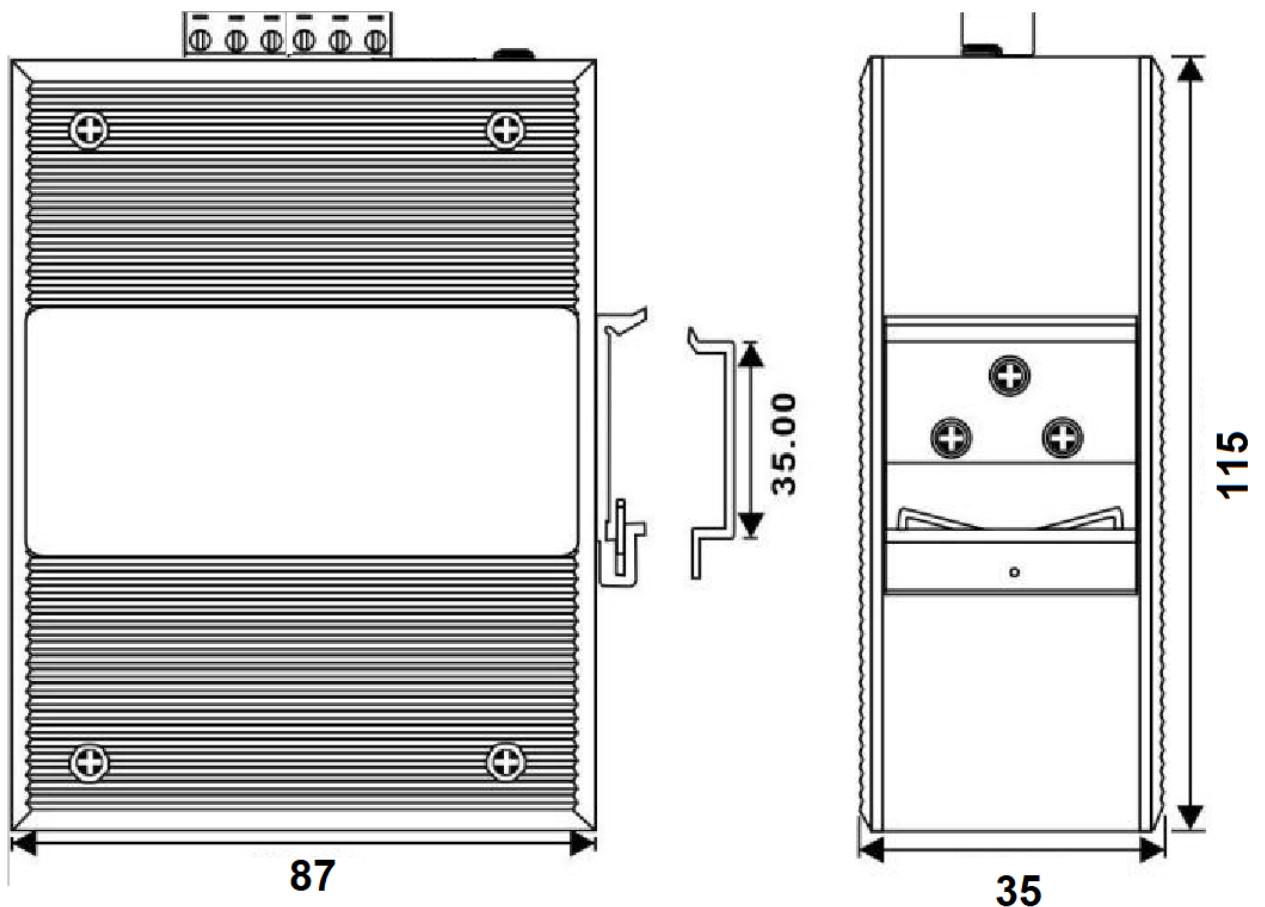
EMS	EN61000-4-2 (ESD), Level 1,EN61000-4-4 (EFT), Level 4,EN61000-4-5 (Surge), Level 3
-----	--

Shell	IEC 60068-2-27
-------	----------------

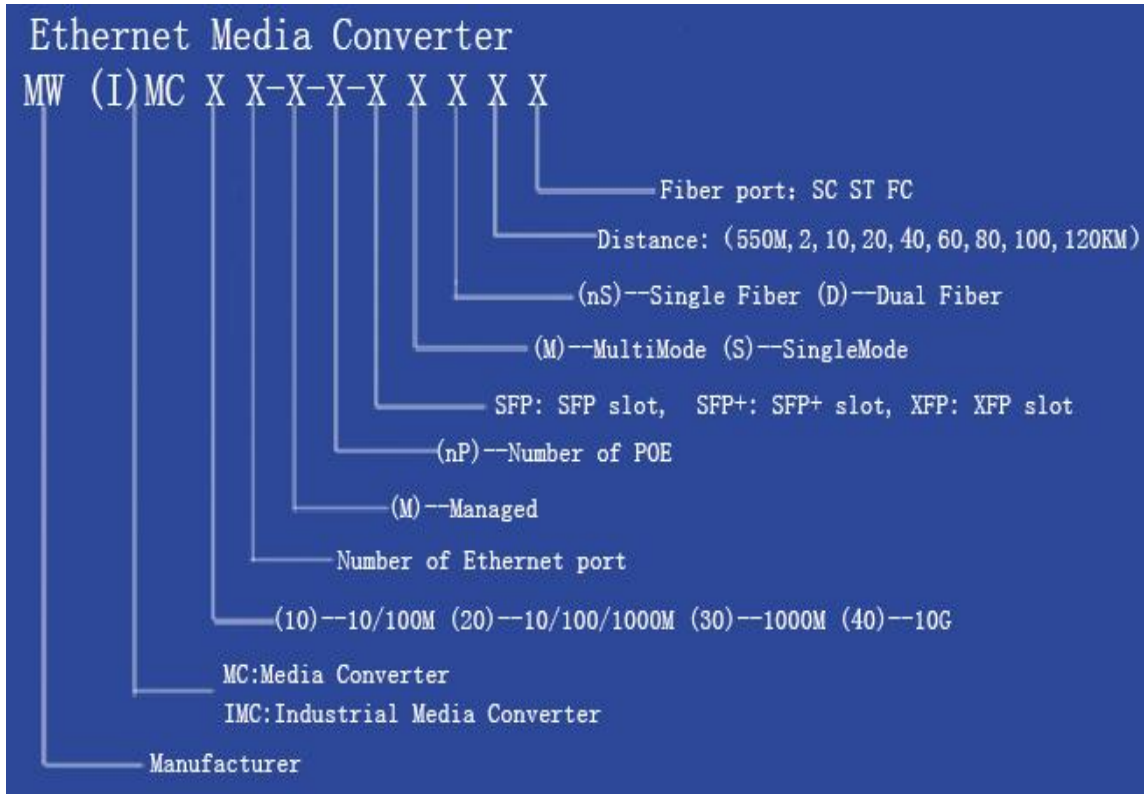
Warranty

Warranty time	5 years
---------------	---------

Certification	CE, FCC, RoHS, PAL, UL508(pending)
---------------	------------------------------------

➤ Dimension

➤ Ordering Information



➤ Packing List

- Industrial Media Converter IMC201-SFP series (plus terminal block)×1
- User manual ×1